



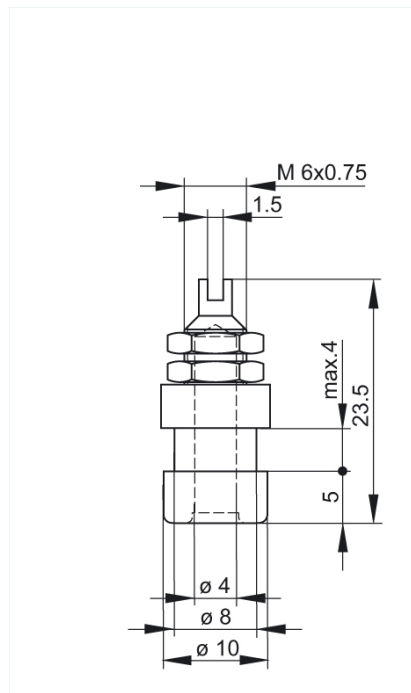
## BIL 30 rot/red

Industrial Connectors:Measuring and Testing Equipment:Sockets:4 mm system

### Product description

Description	Socket with insulated head and ring for installation in equipment chassis and switchpanels up to 4 mm wall thickness. 4 mm diameter tin-plated brass socket, with solder connection.
Type	BIL 30 rot/red
Order No.	930 166-101
System	4 mm system
Housing Color	red
Color types	● ●
Other standard types	black color, order no. 930 166-100

### Drawing



### Technical data

Type of contact	socket
Type of termination	solder
Rated voltage	DC 60 V
Rated current	32 A
Contact resistance	5 mOhm
Mounting	screw

### Material

Contact material	brass
Contact surface material	tin-plated
Housing material	PF

**Environmental conditions**

Temperature range	-25 °C to +85 °C
-------------------	------------------

**Inflammability class**

Housing	94 V-0
---------	--------